

SYMBOL & LINE LEGEND

- UTILITY POLE
- EXISTING WELL LOCATION
- M.A.H.W. FLAG LOCATION
- EXISTING CONTOUR
- OHW EXISTING OVERHEAD WIRES
- PROPOSED CONTOUR
- SF SILT FENCE LINE
- DRAINAGE FLOW

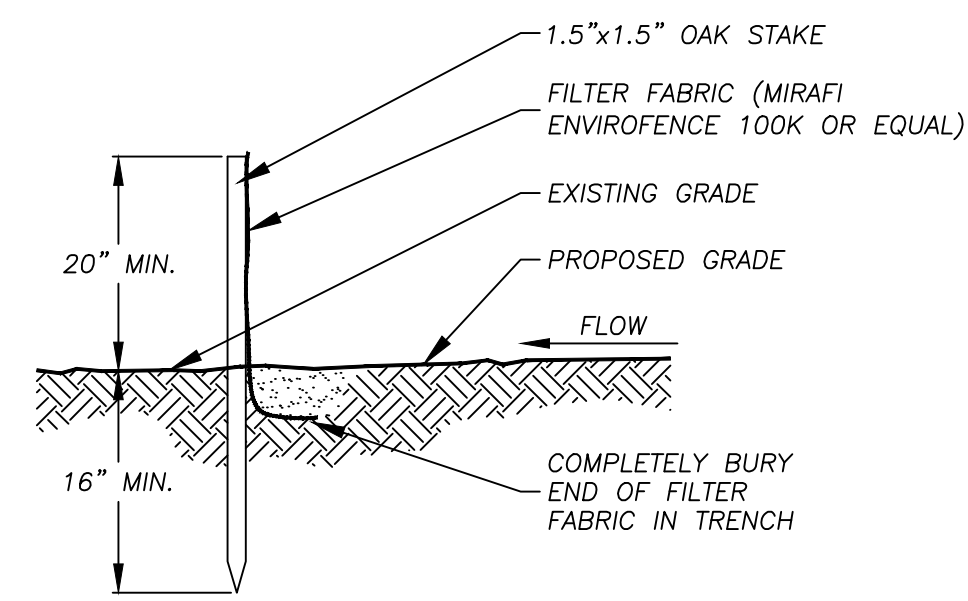
ZONING REVIEW - Lake Wayola District (LW)			
TYPE (MINIMUM)	REQUIRED	EXISTING	PROPOSED
AREA	90,000 S.F.	14,828 S.F. ±	14,828 S.F. ±
FRONTAGE	250 FT	120 FT	120 FT
WIDTH	N/A	N/A	N/A
FRONT YARD	20 FT	43 FT	43 FT
SIDE YARD	15 FT	46.6 FT	16 FT
REAR YARD	15 FT	46.2 FT	46.2 FT
HEIGHT (MAX)	28 FT	2 STORIES	2 STORIES
FLOOR AREA (MAX)	10,000 S.F.	855 S.F.	1,647 S.F.

NOTES

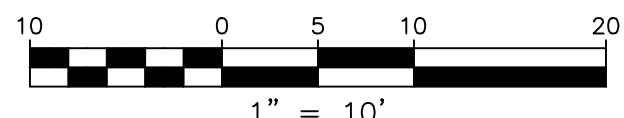
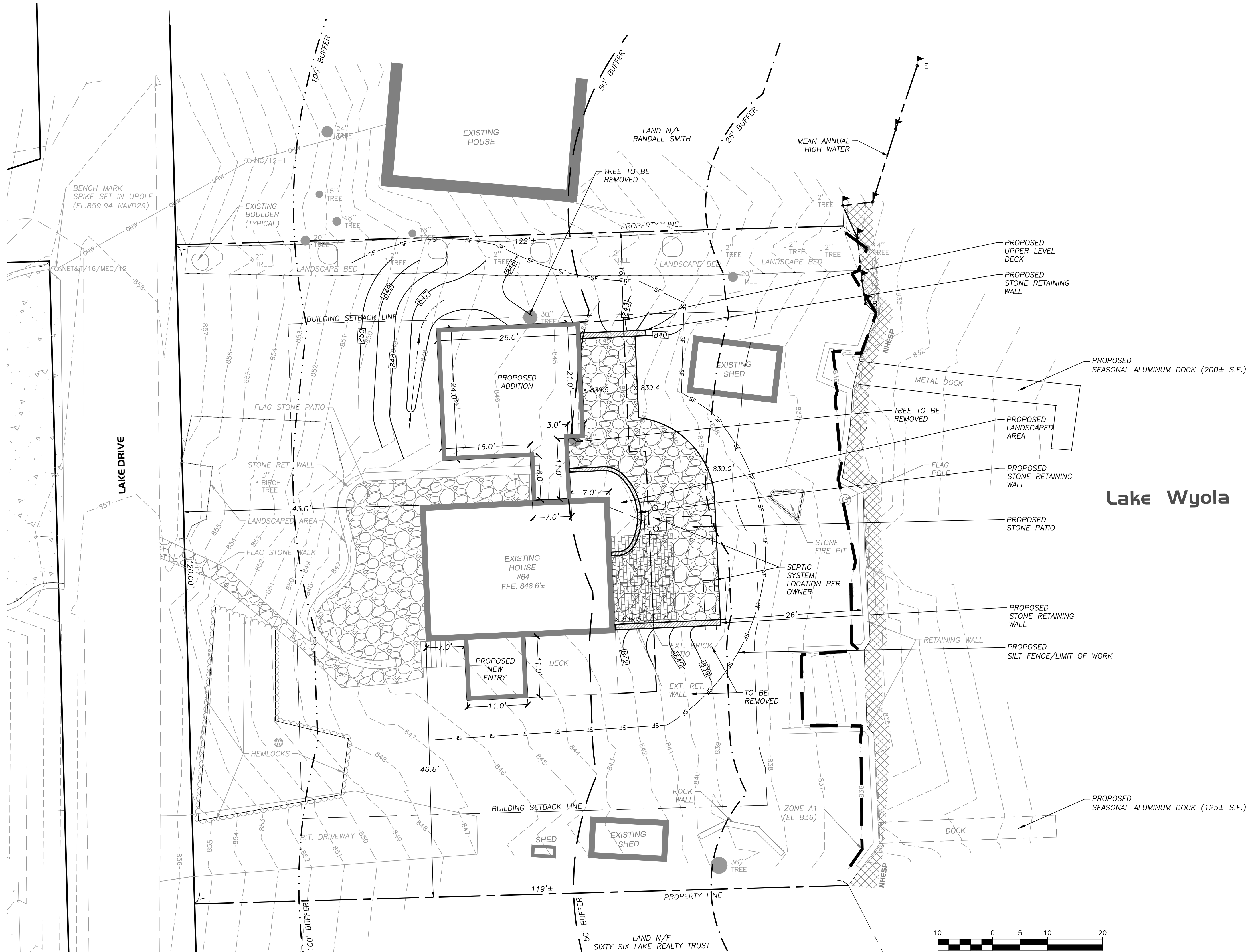
- THE RECORD OWNER OF THE SUBJECT PARCEL IS EVAN D. JONES. SEE FRANKLIN COUNTY REGISTRY OF DEEDS BOOK 6165 PAGE 33.
- THE PROPERTY LINES SHOWN HEREON ARE BASED UPON A PLAN TITLED, "GREAT PINES LAKE WYOLA" PREPARED BY E.A. CHAMBERLIN, DATED JUNE 1937. SEE FRANKLIN COUNTY REGISTRY OF DEEDS BOOK OF PLANS 11 PAGE 50.
- THE EXISTING BUILDING(S) SHOWN HEREON ARE BASED ON AN APPROXIMATE MEASUREMENT OF THE OUTSIDE PERIMETER OF THE EXISTING STRUCTURES. THE ACTUAL LOCATION OF THE EXISTING BUILDING WALLS AND CORNERS SHOULD BE VERIFIED IN THE FIELD PRIOR TO ANY CONSTRUCTION WORK THAT WOULD ABUT OR TAKE PLACE ADJACENT TO THE EXISTING BUILDING(S). IF THE PLAN HEREON IS USED FOR CONSTRUCTION LAYOUT PURPOSES, THE PARTIES CONDUCTING LAYOUT SHALL CONTACT R. LEVESQUE ASSOCIATES INC. PRIOR TO SAID LAYOUT TO DETERMINE PROPER CONTROL. PLEASE NOTE WHILE THE BUILDING(S) ARE SHOWN TO BE SQUARE, IT SHOULD NOT BE ASSUMED THAT THE WALLS ARE SQUARE OR PLUMB. R. LEVESQUE ASSOCIATES TAKES NO RESPONSIBILITY FOR THIRD PARTY LAYOUT OF THE PLAN SHOWN HEREON.
- THIS PLAN HAS BEEN PREPARED FOR SITE PLANNING PURPOSES AND SHALL NOT BE USED FOR THE CONVEYANCE OF LAND OR FOR ANY OTHER USE.
- SUBJECT PARCEL CONTAINS 14,160 S.F.±
- THE SUBJECT PROPERTIES SHOWN HEREON MAY BE SUBJECT TO RIGHTS AND EASEMENTS AS CONTAINED IN THE VARIOUS DEEDS OF RECORD DESCRIBING SAID PROPERTIES. THE LOCATION AND EXTENT OF ANY SUCH RIGHTS AND EASEMENTS IS NOT THE SUBJECT OF THIS PLAN.
- WETLANDS AND M.A.H.W. DELINEATED BY THIS OFFICE IN AUGUST 2023.
- THE EXISTING CONDITIONS INFORMATION SHOWN IS BASED UPON A TOPOGRAPHIC SURVEY PERFORMED BY R LEVESQUE ASSOCIATES, INC. IN AUGUST 2023.
- THE UNDERGROUND UTILITIES SHOWN HEREON HAVE BEEN LOCATED FROM FIELD SURVEY INFORMATION, AVAILABLE RECORD DATA. R LEVESQUE ASSOCIATES, INC. MAKES NO GUARANTEE THAT THE UNDERGROUND UTILITIES SHOWN HEREON COMPRISE ALL SUCH UTILITIES IN THE AREA, EITHER IN SERVICE OR ABANDONED. R LEVESQUE ASSOCIATES, INC. FURTHER DOES NOT WARRANT THAT THE UNDERGROUND UTILITIES SHOWN HERE ARE IN THE EXACT LOCATION INDICATED, ALTHOUGH THEY ARE LOCATED AS ACCURATELY AS POSSIBLE FROM AVAILABLE INFORMATION.
- ADJACENT PROPERTY LINES AND ABUTTERS SHOWN HEREON ARE REFERENCED FROM THE TOWN OF SHUTESBURY GIS.
- SUBJECT PARCEL IS ZONED LW (LAKE WYOLA DISTRICT) ACCORDING TO THE TOWN OF SHUTESBURY GIS ZONING MAP.
- THE SUBJECT PARCEL IS LOCATED WITHIN A SPECIAL FLOOD ZONE AREA ACCORDING TO FLOOD INSURANCE RATE MAP NUMBER 250128-0005 A - EFFECTIVE DATE: JUNE 18, 1980. FLOOD ELEVATION 836
- THE SUBJECT PROPERTY IS NOT LOCATED WITHIN NATURAL HERITAGE & ENDANGERED SPECIES PROGRAM (NHESP) JURISDICTION.

SILT FENCE INSTALLATION NOTES

- THIS SEDIMENT BARRIER UTILIZES MIRAFI ENVIROFENCE (100X) OR EQUAL. IT IS DESIGNED FOR SITUATIONS IN WHICH ONLY SHEET OR OVERLAND FLOWS ARE EXPECTED.
- THE HEIGHT OF THE BARRIER SHALL NOT EXCEED 36 INCHES (HIGHER BARRIERS MAY IMPOUND VOLUMES OF WATER SUFFICIENT TO CAUSE FAILURE OF THE STRUCTURE). IDEALLY THE FILTER FABRIC SHALL BE PLACED 10 FEET AWAY FROM THE TOE OF SLOPE.
- WHEN JOINTS ARE NECESSARY, FILTER FABRICS SHALL BE SPLICED TOGETHER ONLY AT A SUPPORT STAKES WITH A MINIMUM 6-INCH OVERLAP, AND SECURELY SEALED. SEE MANUFACTURER'S RECOMMENDATION.
- STAKES SHALL BE SPACED A MAXIMUM OF 10 FEET APART AT THE BARRIER LOCATION AND DRIVEN SECURELY INTO THE GROUND (MINIMUM OF 12 INCHES). IN APPLICATIONS WHERE HEAVY FLOWS ARE EXPECTED SUCH AS IN-STREAM INSTALLATIONS STAKE SPACING SHALL BE PER MANUFACTURER'S RECOMMENDATIONS AND/OR THE ENGINEERS RECOMMENDATIONS.
- A TRENCH SHALL BE EXCAVATED APPROXIMATELY 6 INCHES WIDE AND 6 INCHES DEEP ALONG THE LINE OF STAKES AND UPSLOPE FROM THE BARRIER IN ACCORDANCE WITH MANUFACTURER'S RECOMMENDATIONS.
- THE PRE ASSEMBLED SILT FENCE SYSTEM SHALL BE UNROLLED, POSITION THE STAKES ON THE DOWNHILL SIDE OF THE TRENCH AND HAMMER THE STAKES AT LEAST 12 INCHES INTO THE GROUND.
- THE BOTTOM SIX (6) INCHES OF THE FABRIC SHALL BE LAID INTO THE TRENCH TO PREVENT UNDERMINING BY STORM WATER RUNOFF.
- BACKFILL THE TRENCH OVER THE FILTER FABRIC AND COMPACT SUFFICIENTLY TO PREVENT THE RUNOFF FROM ERODING THE BACKFILL.
- THE FABRIC SHALL NOT EXTEND MORE THAN 36 INCHES ABOVE THE ORIGINAL GROUND SURFACE. FILTER FABRIC SHALL NOT BE STAPLED TO EXISTING TREES OR SUPPORTS OTHER THAN THE STANDARD STAKES.
- INSTALLED SILT FENCE BARRIERS SHALL BE MAINTAINED ON A REGULAR SCHEDULE WHICH MAY BE PRESCRIBED BY THE LOCAL, STATE OF FEDERAL REGULATORY AUTHORITY; BUT, AT MINIMUM SHALL BE CHECKED WEEKLY AS WELL AS AFTER EACH STORM EVENT. MAINTENANCE SHALL CONSIST OF AN INSPECTION OF THE ENTIRE LENGTH OF THE BARRIER TO DETERMINE IF IT IS FUNCTIONING AS INTENDED. ALL BREAKS, DETACHED FABRIC, SLUMPED FABRIC, CLOGGED FABRIC, AND UNDERMINED AREAS SHALL BE FIXED THE DAY THAT THEY ARE DISCOVERED.
- WHEN A MAXIMUM OF SIX (6) INCHES OF SEDIMENT HAS ACCUMULATED BEHIND THE SILT FENCE THIS SEDIMENT SHALL BE REMOVED AND THE FENCE SHALL BE INSPECTED FOR TEARS, CLOGGING OF BREAKS. ALL DEFICIENCIES SHALL BE CORRECTED IMMEDIATELY EITHER BY REPAIR OR REPLACEMENT OF THE SILT FENCE BARRIER AND/OR STAKES AS NEEDED.
- SILT FENCE BARRIERS SHALL BE REMOVED WHEN THEY HAVE SERVED THEIR USEFUL PURPOSE, BUT NOT BEFORE THE UPSLOPE AREA HAS BEEN CLEANED OF SILT AND PERMANENTLY STABILIZED.



SILT FENCE DETAIL
NO SCALE



RLA
R LEVESQUE ASSOCIATES INC.
Landscape Architects
Civil Engineers - Land Surveyors
Environmental Consultants
ph: 413.568.0985 fax: 413.568.0986
40 School Street
Westfield, MA 01085
rlaland.com

CONSERVATION FILING PLAN
64 LAKE DRIVE
PARCEL ID: ZB-47, ZB-48 and B117
Shutesbury MA.

PREPARED FOR:
Evan D. Jones
P O Box 9311
North Amherst, MA 01059

ISSUANCE DATE: OCT. 2, 2023
REVISIONS: DATE:

DRAFTED BY: j.l. & t.a.
UNAUTHORIZED ALTERATION OF THIS DOCUMENT IS A VIOLATION OF MASSACHUSETTS STATE LAW
SCALE: As Noted
RLA PROJ. NUMBER: 230823
DRAWING# REV.
W-1 -